

Zip Tie Gun for Cable Tie Tightening Operating Instructions

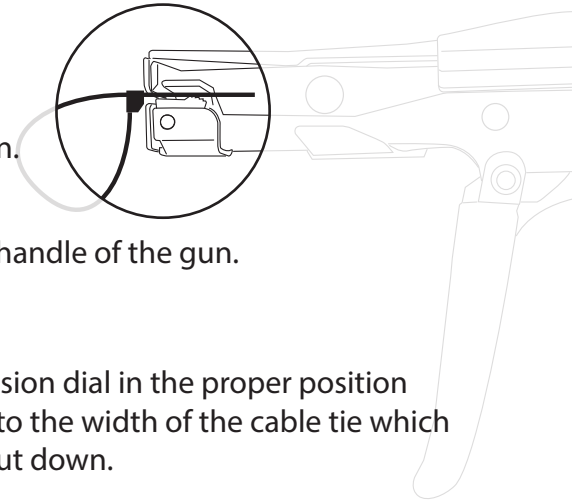
International plastics zip tie gun for cable tie tightening is designed to be simple to use and is adjustable to match the desired application.

Easy to Use:

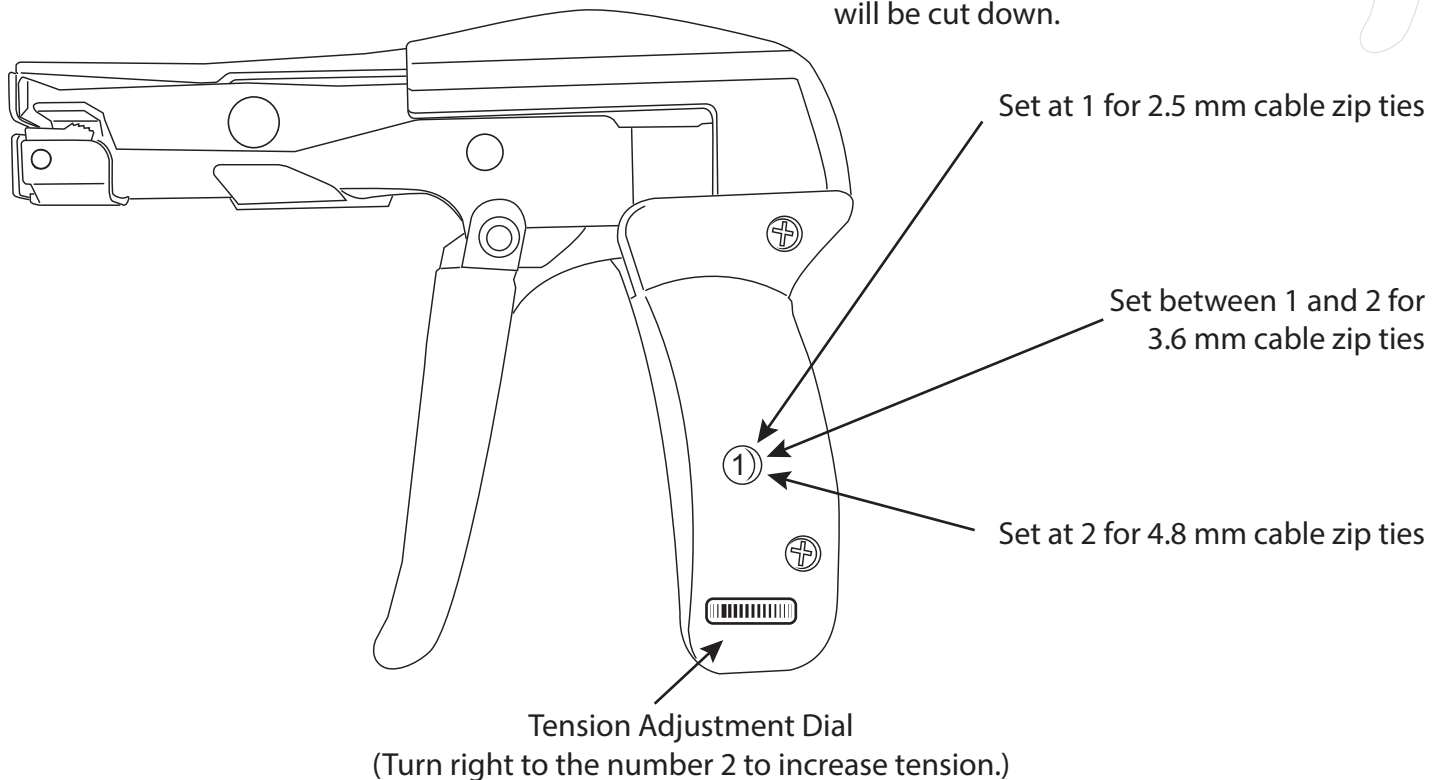
- Place a cable tie around bundle and pull tight with hand.
- Attach tool at cable tie head and squeeze trigger to increase tension.

Adjustable:

- Adjust the tension by turning the black tension dial located on the handle of the gun.
- Turn to the right to increase pressure
- Turn to the left to decrease pressure



Set the tension dial in the proper position according to the width of the cable tie which will be cut down.



- If tie is loose, increase tension. If tie tears or breaks, reduce the tension level.
- Tie is pulled until it reaches the pre-set tension and then is cut off.

CAUTION: This tool has been designed for use with mil-spec approved cable ties only.
Do not use this device for tensioning or cutting wires or other materials.