

A684 RAZOR-X WITH HOLD DOWNS

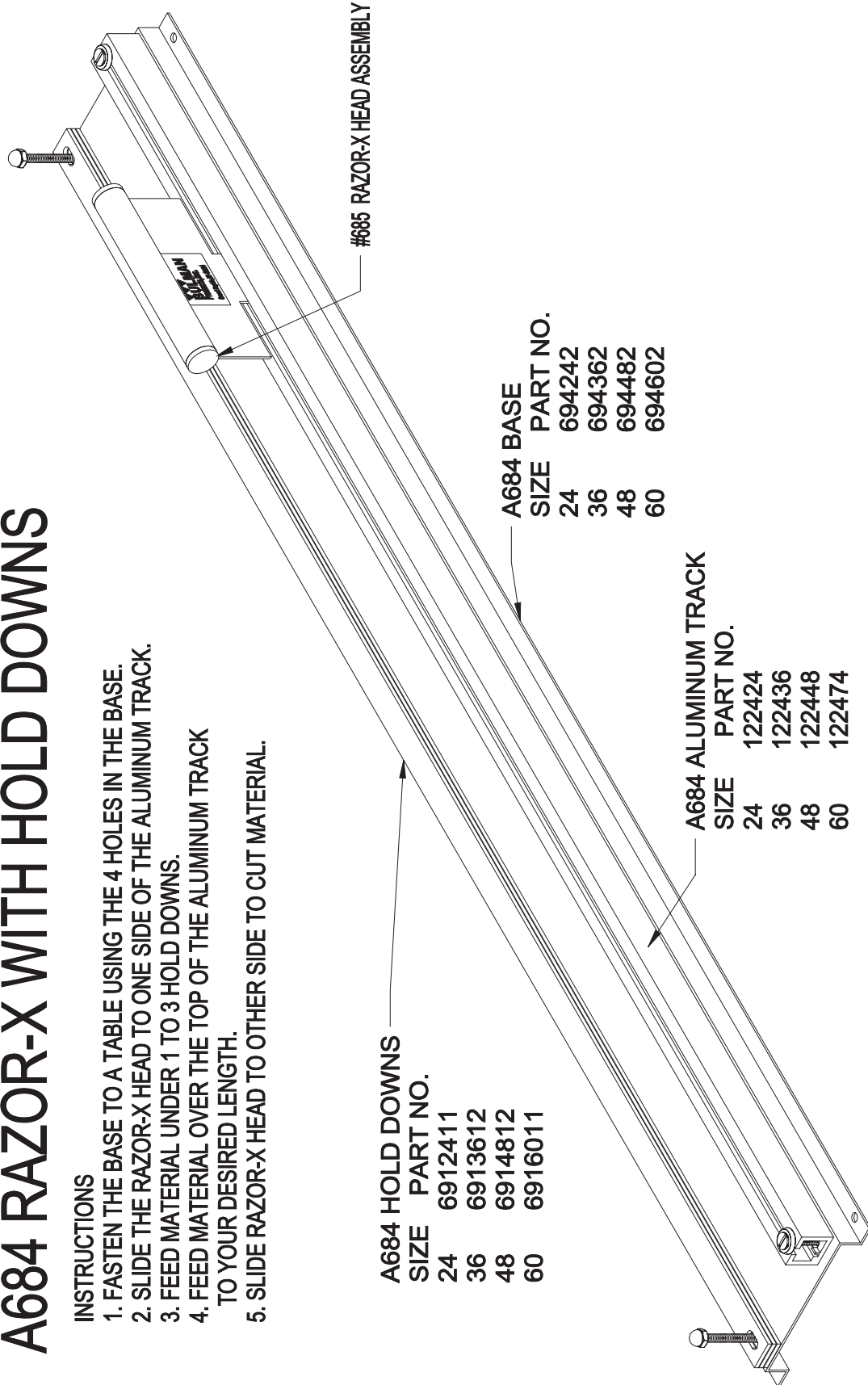
INSTRUCTIONS

1. FASTEN THE BASE TO A TABLE USING THE 4 HOLES IN THE BASE.
2. SLIDE THE RAZOR-X HEAD TO ONE SIDE OF THE ALUMINUM TRACK.
3. FEED MATERIAL UNDER 1 TO 3 HOLD DOWNS.
4. FEED MATERIAL OVER THE TOP OF THE ALUMINUM TRACK TO YOUR DESIRED LENGTH.
5. SLIDE RAZOR-X HEAD TO OTHER SIDE TO CUT MATERIAL.

A684 HOLD DOWNS	SIZE	PART NO.
	24	6912411
	36	6913612
	48	6914812
	60	6916011

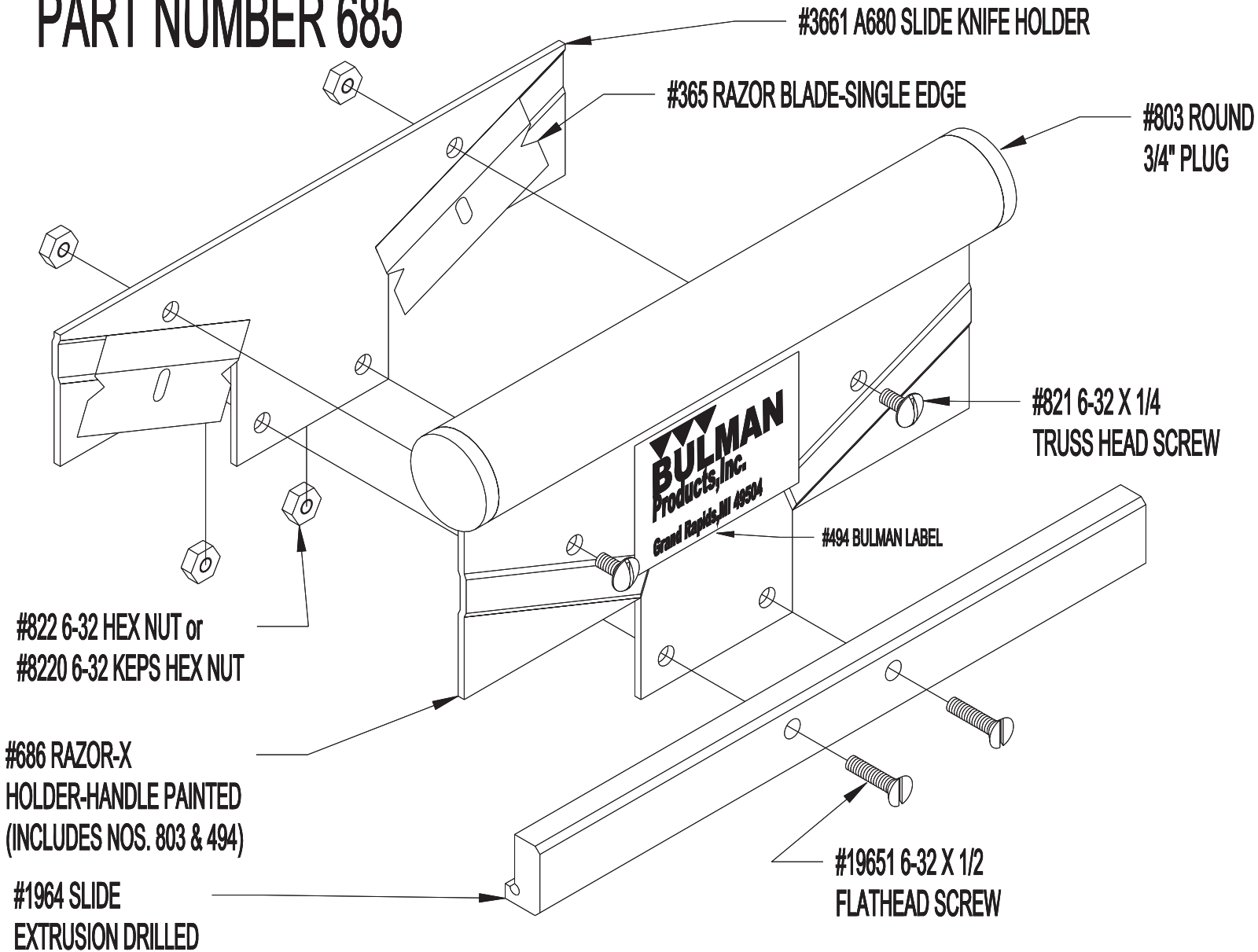
A684 BASE	SIZE	PART NO.
	24	694242
	36	694362
	48	694482
	60	694602

A684 ALUMINUM TRACK	SIZE	PART NO.
	24	122424
	36	122436
	48	122448
	60	122474



RAZOR-X SLIDE KNIFE ASSEMBLY

PART NUMBER 685



PROPERTY OF BULMAN PRODUCTS, INC.
 C:\C7\A681R\3DRAZRHD.PRT
 2-20-2001 DRN BY MKW

www.interplas.com/48-razor-x-cutter-p-pt-a670-cx48